

V&B EUROPE GMBH



VICTORY HTLS ROTARY TILLER

For Tractors With CAT I. & II. 3-Point-Hitch



- + Working widths of 160-200 cm
- + Up to 18 cm working depth
- + For tractors from 35 - 70 HP



www.victory-tractor.com

VICTORY HTLS FOR TRACTORS

Victory HTLS tillers are perfect machines for thorough tilling any kind of soil on small and medium size land.



Adjustable
working depth

24 months
Warranty

12 months for commercial customers



included

€ from 1.598



The Victory HTLS tiller comply with all safety regulations and are CE tested following the 2006/42/EC machine directive and the respective harmonized standards.

Working widths of 160 - 200 cm

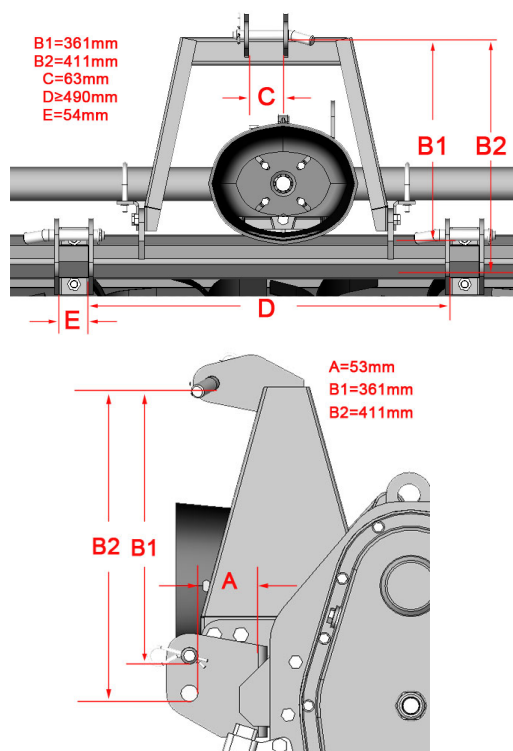
Heavy duty tiller cultivator for tractors with 30 hp to 70 hp with CAT I. 3-point hitch

- 1 Side transmission with oil bath gear.
- 2 Free-wheel transmission protects your tractor after PTO is switched off.
- 3 Easy positioning of the tiller behind your tractor by our adjustable lower hitches.
- 4 Rear safety cover; spring controlled.
- 5 Front safety covers for HTLS tiller.
- 6 PTO shaft with friction clutch included in the shipment.
- 7 Detailed multi-lingual user manual.

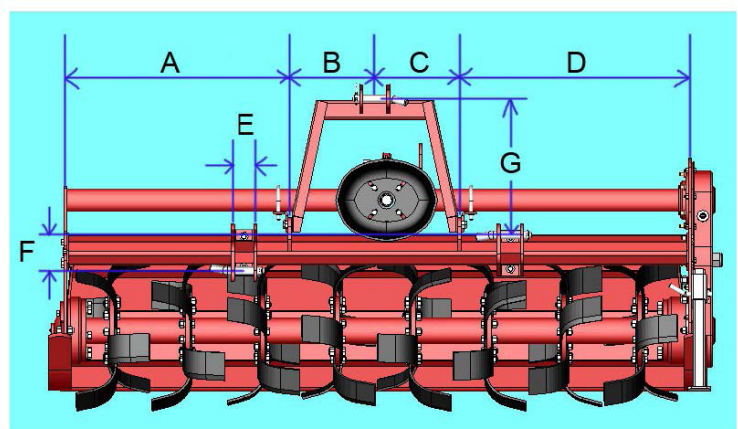


Technical Specifications VICTORY HTLS TILLER

Technical Data	HTLS-160	HTLG-180	HTLG-200
Dimensions (LxWxH)	1240 x 540 x 540 mm	1440 x 540 x 540 mm	1640 x 540 x 540 mm
Total weight	284 kg	308 kg	342 kg
Working width	1600 mm	1800 mm	2000 mm
Working depth (depending on soil cond.)		120 bis 180 mm	
3-point hitch		Cat I, Cat II	
PTO shaft specification		540 RPM	
PTO shaft length		840 mm	
PTO shaft security		friction clutch	
Drive system		transmission	
Transmission oil capacity		1,5L gear box 2,0L side box	
Tractor engine power recommended	30-50 PS	40-60 PS	45-70 PS
Rotor RPM at 540 RPM PTO		270	
Material strength knife shaft cover		4 mm	
Material strength side walls		6 mm	
Painting		powder coating, red	
No of blades per flange	6	6	6
Number of blades (separately exchangeable)	48	54	60
Rotor shaft diameter/material strength		70 mm / 8 mm	
Weight per blade		1520 g	
Transport box (LxWxH)	190 x 70 x 75 cm	210 x 70 x 75 cm	230 x 70 x 75 cm
Transport box (KG)	320 kg	346 kg	382 kg



Modell	A (mm)	B (mm)	C (mm)	D (mm)	E (mm)	F (mm)	G (mm)
HTLS-200	805	220	220	805	54	100	360
HTLS-180	705	220	220	705	54	100	360
HTLS-160	605	220	220	605	54	100	360





ONLINE-SHOP FOR TRACTOR ATTACHMENTS

Tiller, Reverse Tillers, Cultivators, Wood Shredders, Wood Chippers
Stump Grinder, Trenches, Shaft Grinder, Wood Splitter and Log Saws



Contact

Phone: + 49 (0) 4188 4444 773

E-mail: info@victory-tractor.com

V&B Europe GmbH

Am Flidderberg 74

D-21256 Handeloh - Germany